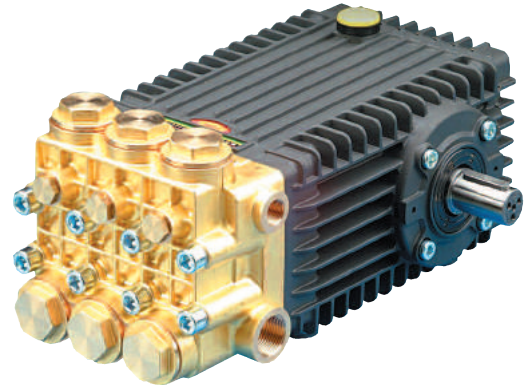


FEATURES

- Oversized roller bearings
- Fully anodized crankcase
- Innovative new seal design extends seal life
- New plunger design improves thermal shock resistance
- New valve cap improves hydrostatic performance



SPECIFICATIONS

Pump Model	TSF1819	TSF2019	TSF2019 Alternate Spec	TSF2019DS Dual Shaft	TSF2021	TSF2021 Alternate Spec	TSF2219	TSF2219 Alternate Spec	TSF2221	TSF2221 Alternate Spec	TSF2819	TSF2421	TSF2421 Alternate Spec
Maximum Volume	6.3 GPM	7.6 GPM	6.3 GPM	7.6 GPM	8.5 GPM	7.0 GPM	9.3 GPM	7.7 GPM	10.2 GPM	8.5 GPM	12.1 GPM	12.0 GPM	10.0 GPM
Maximum Discharge Pressure	4350 PSI	4000 PSI	4350 PSI	4000 PSI	3600 PSI		3000 PSI				2200 PSI	2500 PSI	3000 PSI
Horsepower	18.8 EBHP	20.8 EBHP	18.7 EBHP	20.8 EBHP	21 EBHP	17.3 BHP	19.1 BHP	15.8 BHP	21 BHP	17.5 BHP	18.2 EBHP	20.5 EBHP	17.1 EBHP
Maximum Pump Speed	1750 RPM		1450 RPM	1750 RPM	1750 RPM	1450 RPM	1750 RPM	1450 RPM	1750 RPM	1450 RPM		1750 RPM	1450 RPM
Maximum Inlet Pressure	125 PSI												
Maximum Inlet Vacuum	9 ft. water / 7.9 in. Hg												
Plunger Bore (in / mm)	.709 in. / 18 mm	.787 in. / 20 mm			.866 in. / 22 mm			1.102 / 28 mm		.945 / 24 mm			
Plunger Stroke (in / mm)	.748 in. / 19 mm				.826 in. / 21 mm		.748 / 19		.826 in. / 21 mm		.748 / 19 mm		.826 in. / 21 mm
Oil Capacity	40.6 oz.												
Maximum Fluid Temperature	165° F												
Inlet Port Thread	3/4"-14 BSP-F												
Discharge Port Thread	3/8"-19 BSP-F												
Shaft Diameter (in / mm)	.945 in. / 24 mm												
Weight	40.7 lbs / 18.5 kg												
Dimensions	14.94" x 9.78" x 6.99"												

TRIPLEX

TRIPLEX



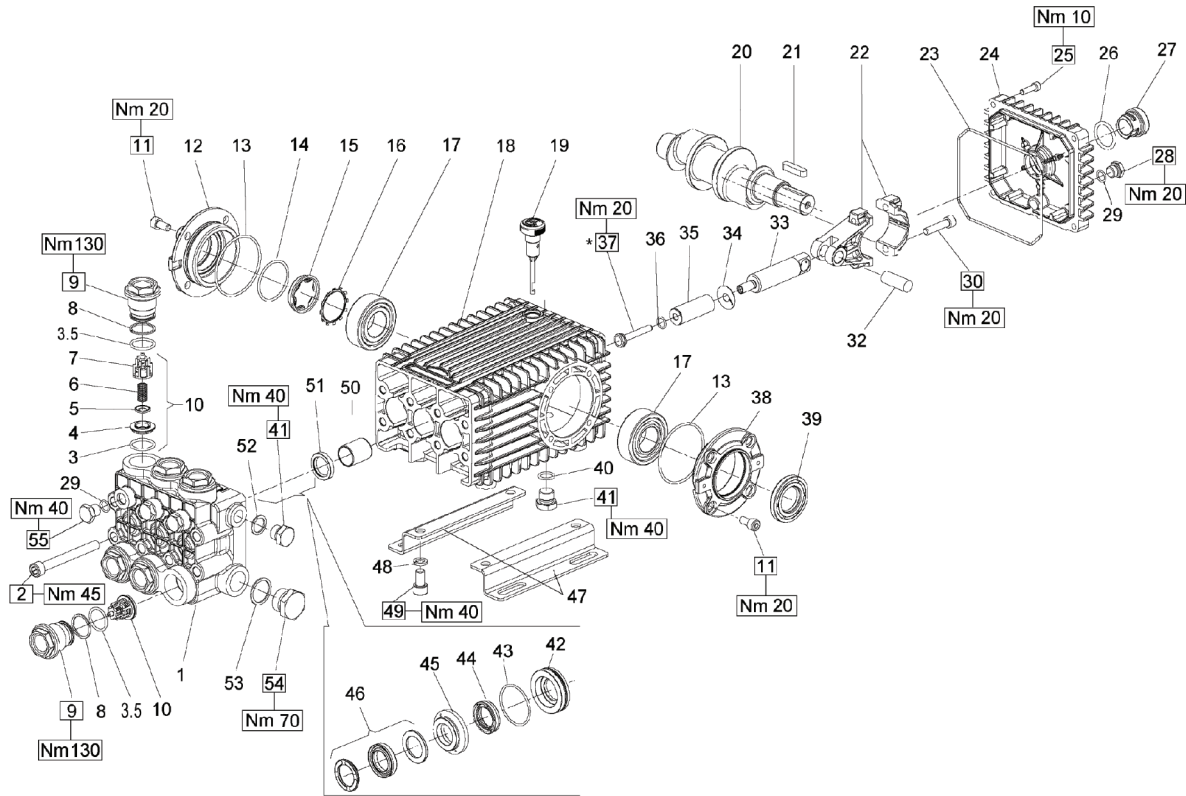
General Pump is a member of the Interpump Group

Ref 310045 Rev. L
04-15



66 Series, TSF

GENERAL PUMP *A member of the Interpump Group*



PARTS LIST

POS.	PART NO.	DESCRIPTION	QTY.	POS.	PART NO.	DESCRIPTION	QTY.	POS.	PART NO.	DESCRIPTION	QTY.
1	66124541	Manifold, Ø 18mm	1	21	91489200	Key, 9x7x35	1	42	66080470	Seal Retainer, Ø 24mm	3
	66120041	Manifold, Ø 20mm	1	22	66030001	Connecting Rod, Complete	3	43	66082570	Seal Retainer, Ø 28mm	3
	66120141	Manifold, Ø 22 mm	1	23	90392200	O-ring, Ø133.02x2.62	1	44	90361600	O-ring, Ø 34.65x1.78	3
	66120241	Manifold, Ø 24mm	1	24	66160022	Rear Cover	1		90265200	LP Seal, Ø 18mm	3
	66124641	Manifold, Ø 28mm	1	25	99188400	Screw, M6x20	4		90269000	LP Seal, Ø 20mm	3
2	99380100	Headbolt M10 x 90	8	26	90405100	O-ring, 26.58x3.53	1		90271500	LP Seal, Ø 22mm	3
3	90385700	O-ring, Ø 23.81x2.62	6	27	63210051	Oil Level Indicator	1		90273800	LP Seal, Ø 24mm	3
3.5	90385700	O-ring, Ø 23.81x2.62	6	28	98204100	Plug, G1/4"x9	1		90275300	LP Seal, Ø 28mm	3
4	36203366	Valve Seat	6	29	701013	O-ring, Ø 426x.070	4	45	66216370	Intermediate Ring, Ø 18mm	3
5	36203476	Valve Poppet	6	30	99309900	Screw, M8x35	6		66216070	Intermediate Ring, Ø 20mm	3
6	94738800	Valve Spring Ø10x18x18.5	6	31	97740500	Wrist Pin, 14x39	3		66216170	Intermediate Ring, Ø 22mm	3
7	36203551	Valve Guide	6	32	96710100	Flinger Washer	3		66216470	Intermediate Ring, Ø 24mm	3
8	90516500	Anti-ext ring Ø24.7x29x1.5	6	33	66050064	Piston Guide	3		66220070	Intermediate Ring, Ø 28mm	3
9	66130041	Plug, M32x1.5x29.5	6	34	96710100	Flinger Washer	3	46	90265500	HP Seal, Ø 18mm	3
10	36712701	Valve Assy., Complete	6	35	66040309	Plunger, Ø 18mm	3		90269200	HP Seal, Ø 20mm	3
11	99303900	Screw M8 x 16	8		66040009	Plunger, Ø 20mm	3		90271700	HP Seal, Ø 22mm	3
12	47151222	Cover	1		66040109	Plunger, Ø 22 mm	3		90274100	HP Seal, Ø 24mm	3
13	90391300	O-ring, Ø67.95x2.62	2		66040409	Plunger, Ø 24mm	3		90275400	HP Seal, Ø 28mm	3
14	90387700	O-ring, Ø 39.34x2.62	1		66041009	Plunger, Ø 28mm	3	47	47200074	Pump Rail	2
15	70211801	Oil Sight Glass	1	36	90358400	O-ring, Ø 10.82x1.78	3	48	96710600	Washer M10	4
16	90075600	Retainer Clip	1	37	66219566	Plunger Bolt	3	49	99364400	Screw M10 x 18	4
17	91838000	Bearing	2	38	47151022	Side Cover, PTO	1	50	90912600	Guide Bushing	3
18	66010022	Crankcase	1	39	90164800	Seal, Shaft	1	51	90162500	Seal, Plunger Rod	3
19	98210600	Dipstick, vented	1	40	90383300	O-ring, Ø 13.95x2.62	1	52	96738000	Gasket, Aluminum 3/8"	1
20	66021035	Crankshaft, 19mm Stroke, 1 Dual Shaft	1	41	98210000	Plug 3/8 x 13	2	53	96770000	Washer	1
	66020035	Crankshaft, 19mm Stroke	1	42	66080370	Seal Retainer, Ø 18mm	3	54	98226800	Plug, G3/4"x16	1
	66020435	Crankshaft, 21mm Stroke	1		66080070	Seal Retainer, Ø 20mm	3	55	98204300	Plug 1/4" x 13	3
					66080170	Seal Retainer, Ø 22mm	3				

REPAIR KITS

KIT NO.	K02	K03	K169	K180 (18mm)	K176 (18mm)	K170 (20mm)	K171 (20mm)	K172 (22mm)	K173 (22mm)	K181 (24 mm)	K182 (24mm)	K248 (28mm)	K247 (28mm)
POS. NO's INCLUDED IN KIT	51	39	3, 4, 5, 6, 7 (10)	44, 46	42, 43, 44, 45, 46	44, 46	42, 43, 44, 45, 46	44, 46	42, 43, 44, 45, 46	44, 46	42, 43, 44, 45, 46	44, 46	42, 43, 44, 45, 46
NUMBER OF ASSEMBLIES IN KIT	3	1	6	3	1	3	1	3	1	3	1	3	1
NUMBER OF CYLINDERS KIT WILL SERVICE	3	N/A	3	3	1	3	1	3	1	3	1	3	1



TORQUE SPECS*

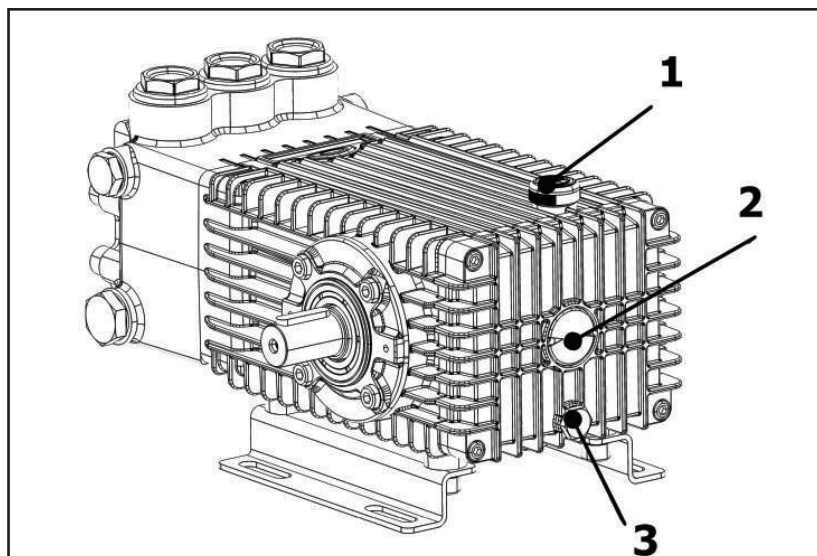
POS.	Nm	Ft/lb
2	45	33.2
9	130	95.9
11	20	14.8
25	10	7.4
28	20	14.8
30	20	14.8
37**	20	14.8†
41	40	29.5
49	40	29.5
54	70	51.6
55	40	29.5

* Decrease torque by 20% if threads are lubricated

** Use Loc-Tite 542 or similar

OIL CHANGING

1. Oil changing must be done with the pump at operating temperature.
- 1.2 Put a container under the oil drain plug (3).
- 1.3 Remove the oil dipstick (1) and then the drain plug (3).
- 1.4 Wait until all the oil has drained out, then screw the drain plug (3) and tighten at the torque shown in the exploded diagram and above table.
- 1.5 Fill with new oil (General Pump Series 100) until the middle of the oil sight glass is reached, screw by hand the oil dipstick (1).



Ref 310045 Rev. L
04-15

WARRANTY INFORMATION

PUMP WARRANTY

January 1, 2018

The following statement is intended to assist our customers in understanding the terms of our warranty, the circumstances under which we will honor claims, and the procedure for making such claims.

GP Companies, Inc. warrants each pump manufactured by General Pump to be free of defects in material or workmanship for a period of five (5) years from the date of shipment, with the exception of Consumer Pumps and the hydraulic pump line. In addition, GP Companies, Inc. warrants all forged brass pump manifolds to be free of defects in material and workmanship and from damage resulting from freezing for the life of the pump. Liability under this warranty is on all non-wear parts and limited to the repair or replacement of any pump returned to General Pump/US which upon inspection, is judged to be defective due to workmanship or material failure. Any product returned to General Pump should be shipped freight prepaid to GP Companies, Inc. – 1174 Northland Drive – Mendota Heights, MN 55120 and must display a Return Authorization Number obtained from General Pump's Inside Sales Department (651) 454-6500, Fax (800) 535-1745.

WARRANTY INFORMATION

In the course of marketing or servicing the customer or potential customer's needs, General Pump will use its best judgement in its recommendations. However, the ultimate responsibility for product application decisions shall rest with the customer. The sole and only warranty made by General Pump is the limited warranty described above. General Pump makes no other warranty of any kind, express or implied, including any implied warranty or merchantability or of fitness for a particular use or purpose. General Pump disclaims and denies any liability for any direct, indirect, special, incidental or consequential damages which may be suffered as a result of sale, delivery, servicing, use, loss of any product, downtime, labor, freight or other charges not expressly included herein. The only liability and the total liability of General Pump under this limited warranty or in any claim regarding or involving General Pump is expressly limited to the replacement or purchase price of the product.



The following items are not warranted, due to matters beyond GP Companies, Inc. control.

1. Normal wear and tear to parts that are considered standard wear parts.
2. Defects caused by the fault or negligence of the buyer or third party.
3. Use of unauthorized repair parts.
4. Modifications made by the customer.
5. Car wash series pumps are covered for damage caused by fresh water wash out for the life of the pump.

This warranty statement supercedes and replaces non-dated warranties or previously dated warranties.

POWER UNIT(S) WARRANTY

January 1, 2018

GP Companies, Inc. warrants each power unit in whole for 90 days from the date the unit is purchased. After 90 days, each pump manufactured by General Pump carries GP Companies, Inc. standard pump warranty. Each individual accessory on the power unit is covered by GP Companies, Inc. standard accessory warranty.

ACCESSORY WARRANTY

January 1, 2018

GP Companies, Inc. accessories are warranted by the manufacturer to the original purchaser to be free from defects in material and workmanship

under normal use and service. "Normal use and service" means not in excess of the recommended pressures and temperatures or handling fluids not compatible with component materials. This warranty shall not apply to any accessory that has been repaired or altered to affect the performance or reliability of the accessory.

Warranty does not apply to:

1. freight damage;
2. freeze damage;
3. damage caused by parts and/or accessories not obtained from or approved by General Pump;
4. damage caused by misuse and/or misapplication;
5. normal wear of moving parts or components affected by moving parts.

The period of warranty is 90 days from the date the product is purchased. Liability of manufacturer under the foregoing warranty is limited to repair or replacement at the option of the manufacturer of that product, which according to the manufacturer's investigation was deemed defective at the time of the shipment.

This warranty is in lieu of all other warranties, expressed or implied, including any warranty of merchantability and/or any and all other obligations or liabilities on the part of the manufacturer